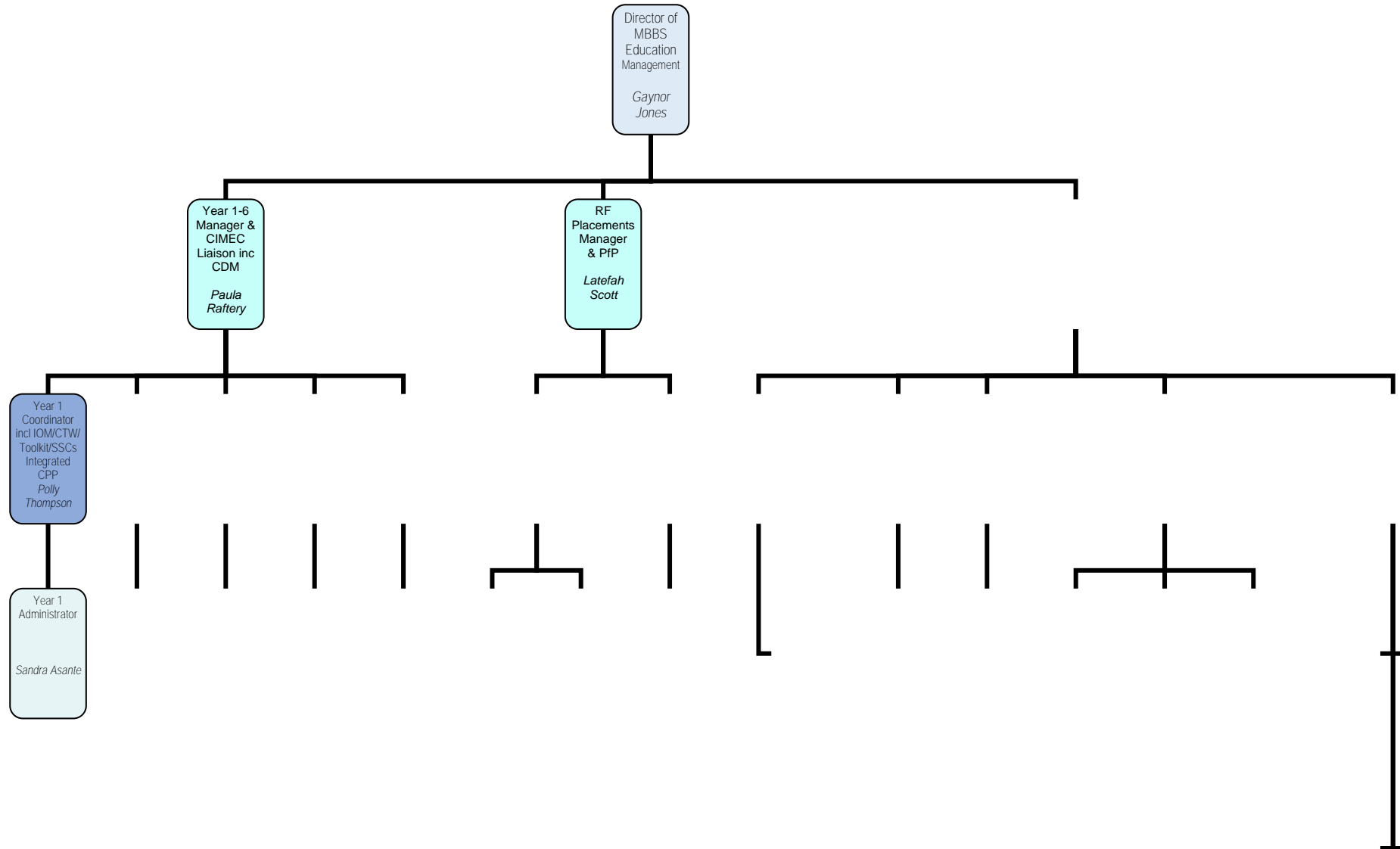


MBBS Education Management - Curriculum and Placements



Curriculum Team year and module management including IoM/Core Teaching Weeks, overall timetabling/allocation to groups, specialties, firms, integrated CPP, SSCs, Patient Pathways delivered in horizontal module timetables, module sign-off (Y5)

Placements Teams - local placement timetables, teachers, allocation of students to events, placement related materials, Patient Pathway patient allocation, module/placement sign off, recruitment of examiners, on-the-day exam delivery, pastoral care/personal tutors, visiting elective placements